

NEW ASSO 30 SE



Description



This bridge is designed to lift light weight vehicles up to 3500 kg.

Repositioning kit included

Possibility to load the vehicle in both directions.

Features

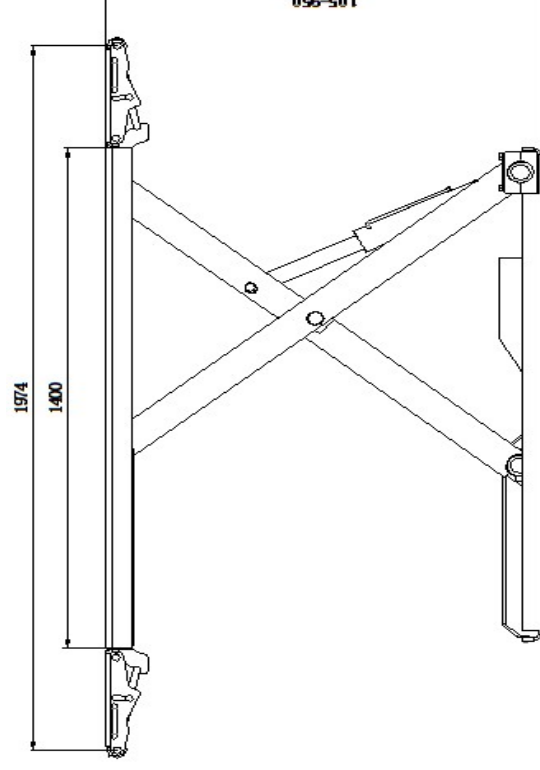
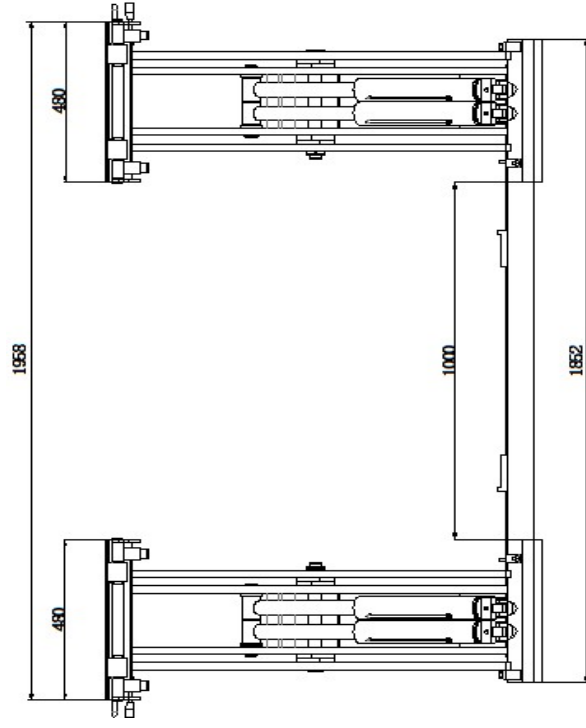
Advanced design, easy to use, compact layout.
Ultra-thin structure, floor installation, control unit with a pipe 2 meters long std. The hydraulic system keeps both platforms at the same level.

Data Sheet

Max Lifting Weight: 3500Kg
Min Height: 105mm
Max Height: 950mm
Motor Power: 2,2 KW
Power supply: 220V/ 400V/ 50Hz/ 3Ph
Lifting Time: <40
Lowering Time: <20
Weight: 630 Kg
Noise Level: < 70db



NEW ASSO 30 SE MAIN TECHNICAL FEATURES



Electric Specific Data

Motor (optional): 2.2kw
 Voltage options based on the different
 voltage Single-phase / three-phase 220v /
 380v 50Hz

